

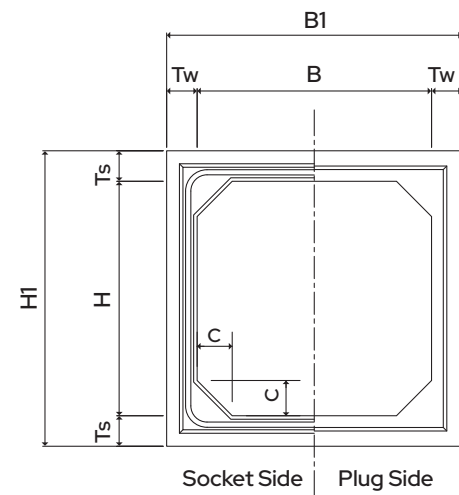


PRECAST BOX CULVERT

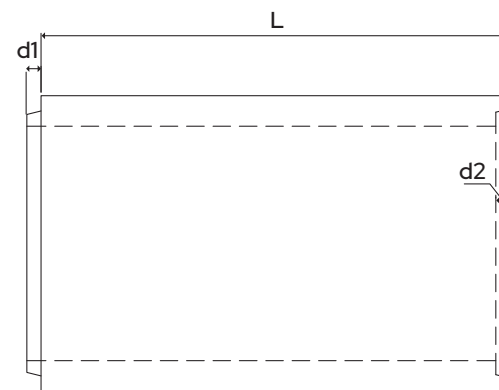
APPLICATIONS :

Such as storm water drains, power ducts and road crossings, as a replacement of pipe culverts.

FRONT VIEW

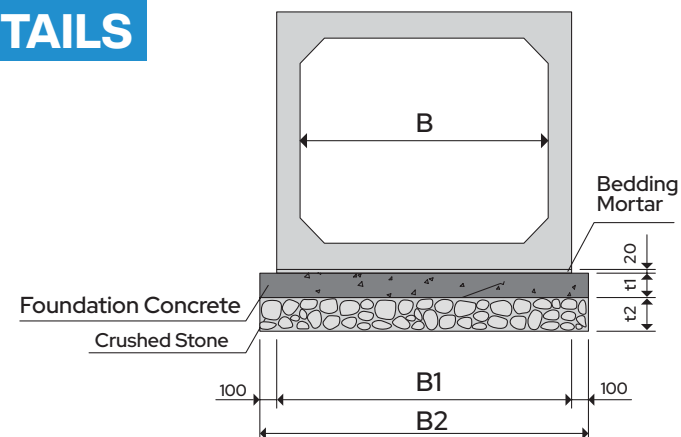


SIDE VIEW



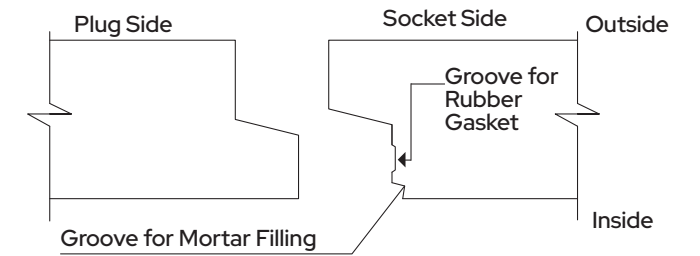
TYPICAL FOUNDATION DETAILS

B	Size(mm)	
	t1	t2
600 ~ 1000	100	150
1100 ~ 2000	150	200
2200 ~ 3000	200	250



TYPICAL JOINT DETAILS

- Plug & Socket Joint
- Flange Bolt Connection
- Note: *Available for selected sizes
- Sealing Material - Rubber Gasket



B X H (mm)	B	B1	H	H1	L	TS	TW	C	d1	d2
300 x 300	300	416	300	475	2000	95/80	55	C30 / R50	-	-
500 x 500	500	680	500	740	2000	120	90	50	-	-
600 x 600	600	775	600	860	2000	130	80	C50 / R80	-	-
800 x 800	800	1060	800	1060	2000	130	130	100	60	60
600 X 1000	600	860	1000	1260	2000	130	130	150	60	60
900 X 1000	900	1160	1000	1260	2000	130	130	150	60	60
1000 X 1000	1000	1260	1000	1260	2000	130	130	150	60	60
1200 X 1000	1200	1460	1000	1260	2000	130	130	150	60	60
1000 X 600	1000	1260	600	860	2000	130	130	150	60	60
800 X 1400	800	1060	1400	1660	2000	130	130	150	60	60
900 X 1400	900	1160	1400	1660	2000	130	130	150	60	60
1000 X 1400	1000	1260	1400	1660	2000	130	130	150	60	60
1200 X 1400	1200	1460	1400	1660	2000	130	130	150	60	60
1300 X 1400	1300	1560	1400	1700	2000	150	130	150	60	60
1500 X 1400	1500	1760	1400	1700	2000	150	130	150	60	60
1400 X 1000	1400	1660	1000	1260	2000	130	130	150	60	60
1400 X 1200	1400	1660	1200	1460	2000	130	130	150	60	60
2000 X 1200	2000	2320	1200	1560	2000	180	160	200	80	80
2000 X 1500	2000	2320	1500	1860	2000	180	160	200	80	80
2000 X 1800	2000	2320	1800	2160	2000	180	160	200	80	80
2000 X 2000	2000	2320	2000	2360	2000	180	160	200	80	80
2500 X 1500	2500	2900	1500	1940	1500	220	200	200	80	80
2500 X 1800	2500	2900	1800	2240	1500	220	200	200	80	80
2500 X 2000	2500	2900	2000	2440	1500	220	200	200	80	80
2500 X 2500	2500	2900	2500	2940	1500	220	200	200	80	80