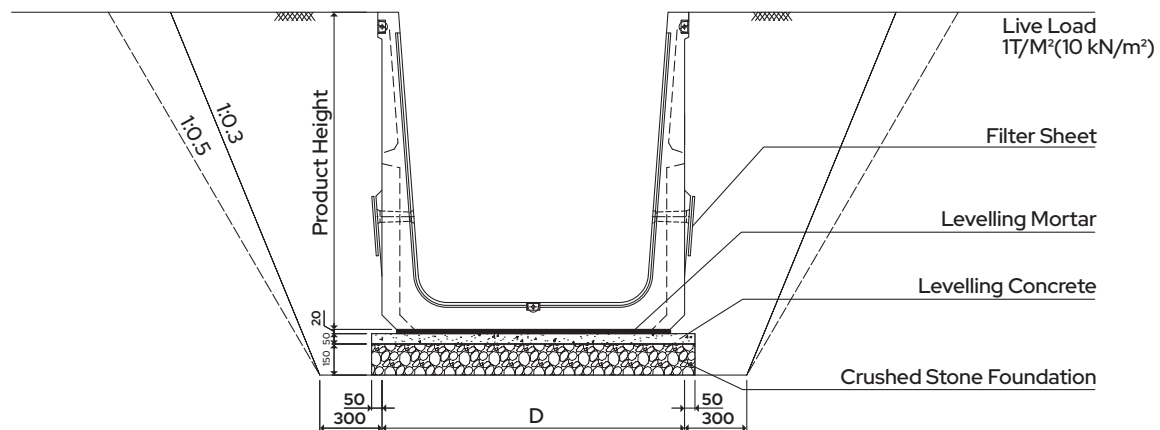


FT-FLUME

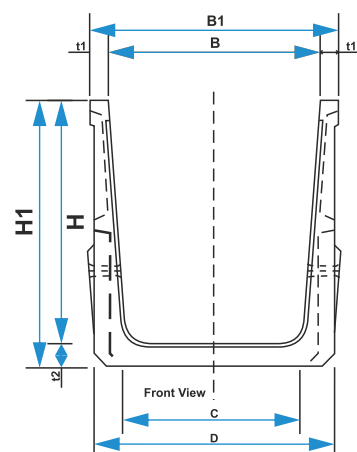
APPLICATIONS :

Such as storm water drains, power ducts and road crossings, as a replacement of pipe culverts.

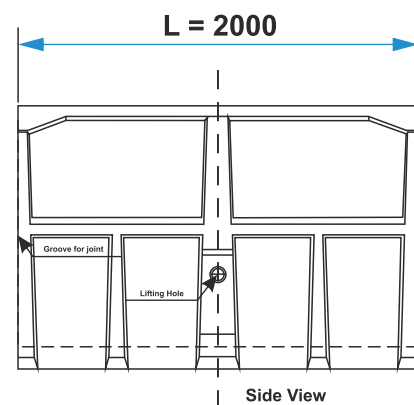
TYPICAL SECTION OF FT-FLUME AS OPEN STORM WATER DRAIN



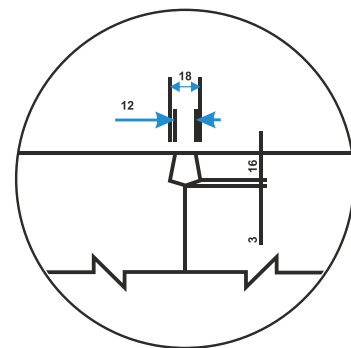
FRONT VIEW



SIDE VIEW



TYPICAL GROOVE FOR JOINT



H : 900 (H1: 995)

Width: B	600	700	800	900	1000	1100	1200	1300	1400	1500	1600	1700	1800
B1	780	880	980	1080	1180	1280	1380	1480	1580	1680	1780	1880	1980
C	465	565	665	765	865	965	1065	1165	1265	1365	1465	1565	1665
D	740	840	940	1040	1140	1240	1340	1440	1540	1640	1740	1840	1940

H : 1000 (H1: 1150)

Width: B	600	700	800	900	1000	1100	1200	1300	1400	1500	1600	1700	1800
B1	780	880	980	1080	1108	1280	1380	1480	1580	1680	1780	1880	1980
C	450	550	650	750	850	950	1050	1150	1250	1350	1450	1550	1650
D	740	840	940	1040	1140	1240	1340	1440	1540	1640	1740	1840	2140

H : 1200 (H1: 1310)

Width: B	800	900	1000	1100	1200	1300	1400	1500	1600	1700	1800	1900	2000
B1	980	1080	1180	1280	1308	1480	1580	1680	1780	1880	1980	2080	2180
C	620	720	820	920	1020	1120	1220	1320	1420	1520	1620	1720	1820
D	940	1040	1140	1240	1340	1440	1540	1640	1740	1840	1940	2040	2140

H : 1300 (H1: 1420)

Width: B	800	900	1000	1100	1200	1300	1400	1500	1600	1700	1800	1900	2000
B1	1000	1100	1200	1300	1400	1500	1600	1700	1800	1800	2000	2100	2200
C	605	705	805	905	1005	1105	1205	1305	1405	1505	1605	1705	1805
D	960	1060	1160	1260	1360	1460	1560	1660	1760	1860	1960	2060	2160

H : 1400 (H1: 1530)

Width: B	800	900	1000	1100	1200	1300	1400	1500	1600	1700	1800	1900	2000
B1	1000	1100	1200	1300	1400	1500	1600	1700	1800	1900	2000	2100	2200
C	590	690	790	890	950	1090	1190	1290	1390	1490	1590	1690	1790
D	960	1060	1160	1260	1360	1460	1560	1660	1760	1860	1960	2060	2160

H : 1500 (H1: 1640)

Width: B	800	900	1000	1100	1200	1300	1400	1500	1600	1700	1800	1900	2000
B1	1000	1100	1200	1300	1400	1500	1600	1700	1800	1900	2000	2100	2200
C	575	675	775	875	975	1075	1175	1275	1375	1475	1575	1675	1775
D	960	1060	1160	1260	1360	1460	1560	1660	1760	1860	1960	2060	2160

H : 1600 (H1: 1740)

Width: B	800	900	1000	1200	1300	1400	1500	1600	1700	1700	1800	1900	2000
B1	1000	1100	1200	1400	1500	1600	1700	1800	1800	1860	2000	2100	2200
C	560	660	760	860	960	1060	1160	1260	1360	1460	1560	1660	1760
D	960	1060	1160	1360	1460	1560	1660	1760	1860	1860	1960	2060	2160

H : 1800 (H1: 1940)

Width: B	800	900	1000	1100	1200	1300	1400	1500	1600	1700	1800	1900	2000
B1	1070	1170	1270	1370	1470	1570	1670	1770	1870	1970	2070	2170	2270
C	530	630	730	830	930	1030	1130	1230	1330	1430	1530	1630	1730
D	990	1090	1190	1290	1390	1490	1590	1690	1790	1890	1990	2090	2190