



**TRILOK  
INFRATECH**



**PROVIDING**

**HIGH QUALITY SMART CONCRETE  
PRODUCTS AND SERVICES**



**MFg. of U Shape Drain, Cable Trench, Box Culvert,  
and All Customized Precast Products.**

# About Us

We, Trilok Precast groups are the leading manufacturer of RCC Precast Prestressed Compound Wall And other Precast Products at a large scale since 2005 in Surat and 18 states with 64 City in India and 2 is Out of India Senegal and Ecuador Last 4 years.

Now, our Company Starts precast products such as U Shape Drain, FT Flume, Earth Retaining wall, Box Culvert and Customize RCC Smart Concrete Products, etc. With Advance Technology for customized Product using High-Performance Concrete grade M50 to M75 with the greatest care to get the maintenance-free end product for long life.

## Mission

to rise as the leading precast concrete manufacturing company, setting unparalleled standards in strength and sustainability. We are on a journey to construct a future-ready world.

## Vision

By 2030, we aim to be recognized as India's premier precast concrete manufacturing leader, setting benchmarks with our superior and sustainable products. We are dedicated to serving vital sectors, including Power, Water & Sewage, Railways, Industrial, and Roads & Bridges, as we lay the foundation for a resilient and progressive nation.



# Manufacturing Excellence

Our commitment to manufacturing excellence lies at the heart of Trilok Infratech. Equipped with cutting-edge technology and staffed by a highly skilled workforce, our state-of-the-art facilities ensure that every precast concrete product is crafted to perfection. Customized solutions, rigorous quality control, and a dedication to eco-friendly practices are the cornerstones of our manufacturing process. We take immense pride in delivering not just products, but precision, reliability, and superior quality. Discover the difference of Trilok Infratech's manufacturing excellence and redefine your construction expectations.



## Crafting Quality, Building Excellence

# Quality Assurance

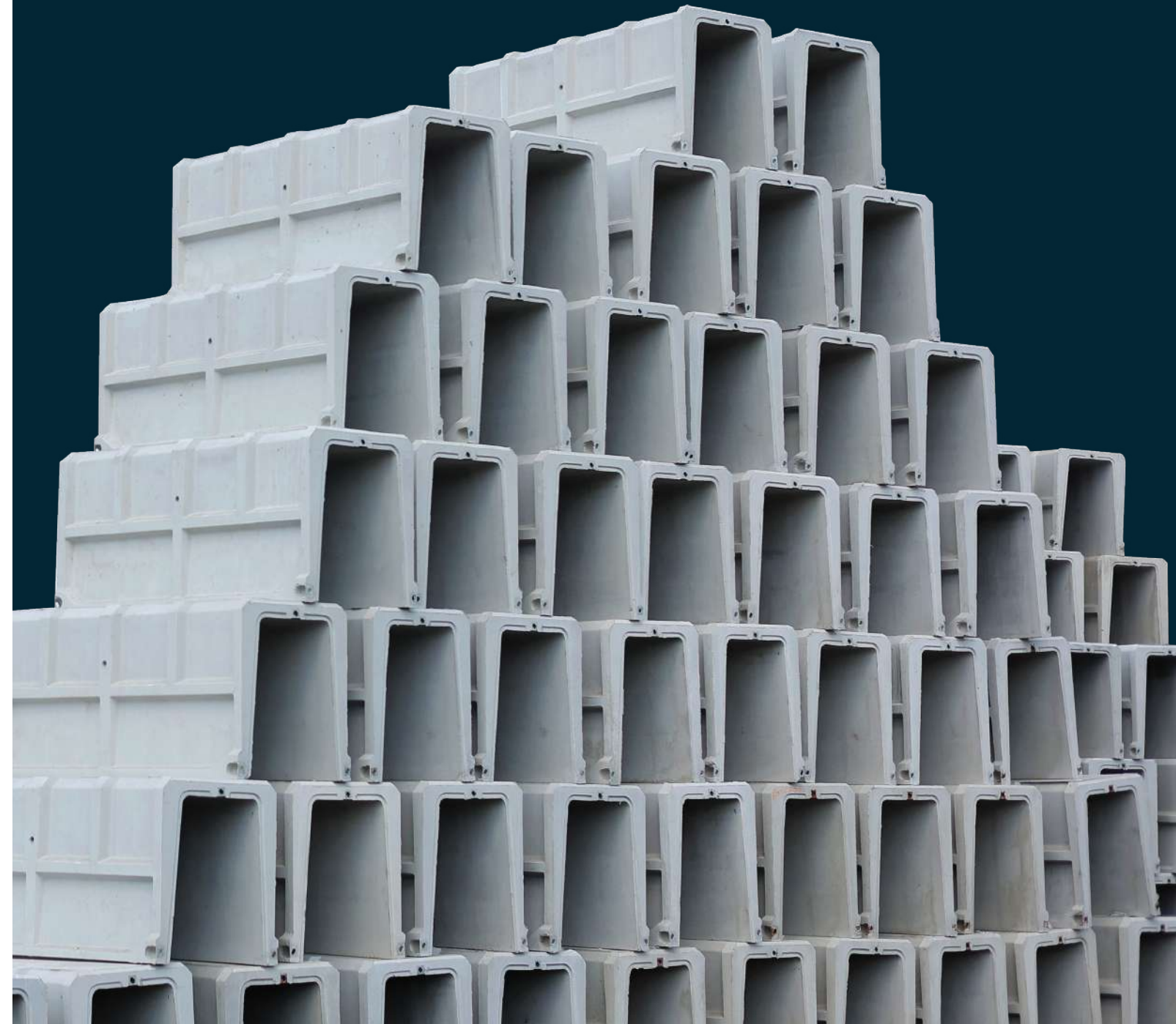
At Trilok Infratech, quality assurance isn't just a process; it's our promise to you. We believe that the foundation of any great structure begins with exceptional materials and precise workmanship. Our commitment to quality is woven into the fabric of our organization, ensuring that each precast concrete product you receive surpasses industry standards.

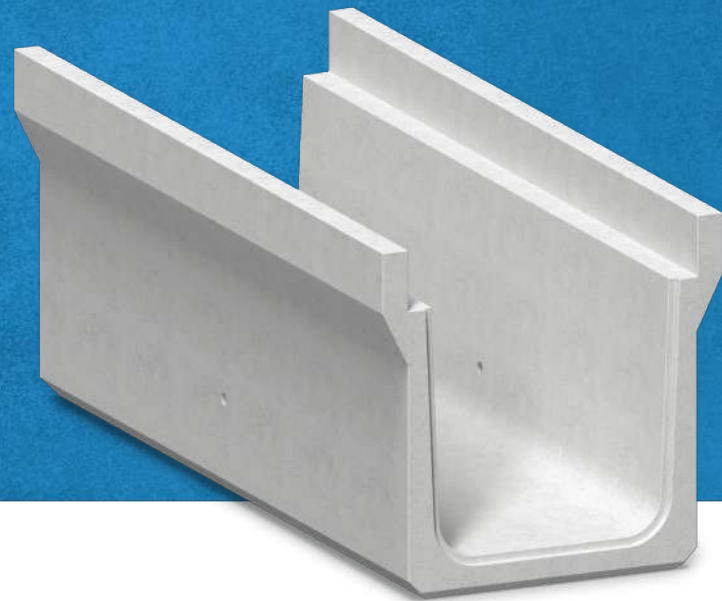
Reliability

Stringent Testing

Certifications

Improvement



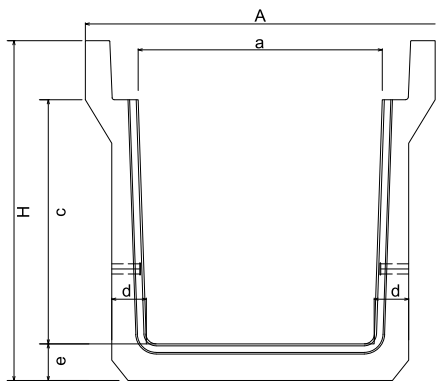


# U SHAPE DRAIN (HEAVY)

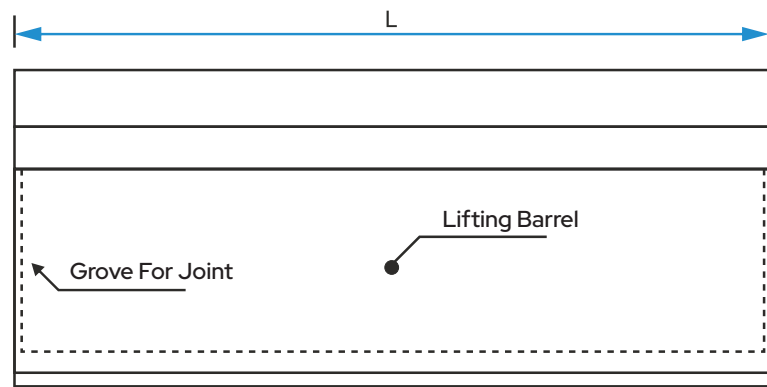
## APPLICATIONS :

Such as storm water drains and power and telecommunication cable ducts.

### SECTION

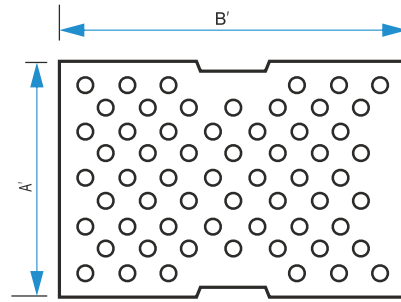


### SIDE VIEW



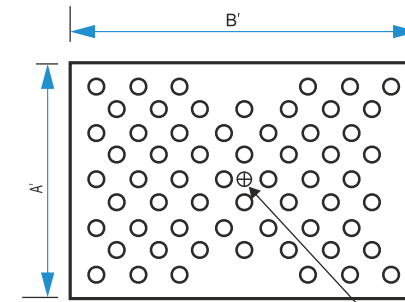
Size(mm)	Dimensions of U Shape Drain (mm)						
a x c	L	A	H	a	c	d	e
300 x 300	2000	540	480	300	300	65	70
450 x 450	2000	700	660	450	450	75	80
600 x 600	2000	860	835	600	600	85	90
750 x 750	2000	1050	1000	750	750	95	100
900 x 900	2000	1200	1170	900	900	115	120
1200 x 1200	2000	1500	1470	1200	1200	120	120

### STANDARD COVER

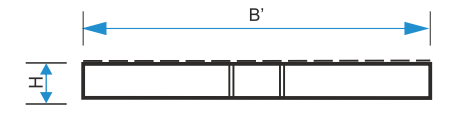


Cover plan

### WITHOUT HOLE COVER



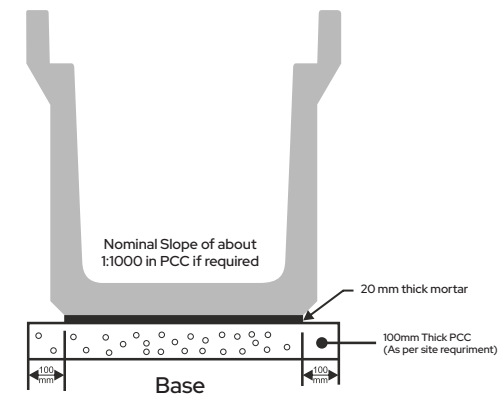
Cover plan



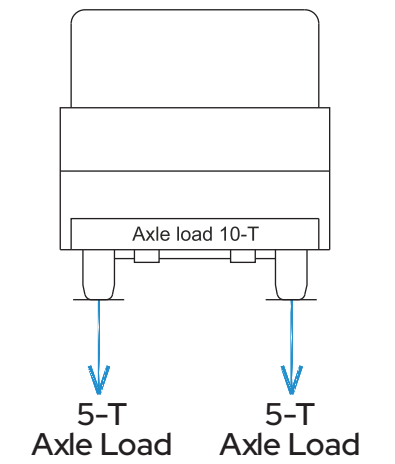
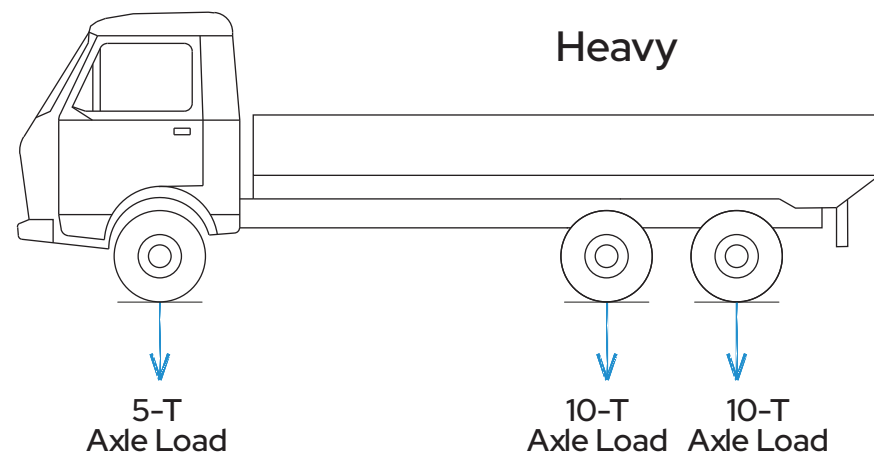
Cover Side View  
Cover Hole

Lifting Barrel

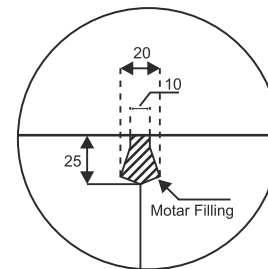
Drain Size(mm)	Dimensions of Cover (mm)		
	A'	B'	H
300 x 300	500	410	110
450 x 450	500	565	130
600 x 600	500	710	140
750 x 750	500	890	145
900 x 900	500	1050	150
1200 x 1200	1000	1330	150

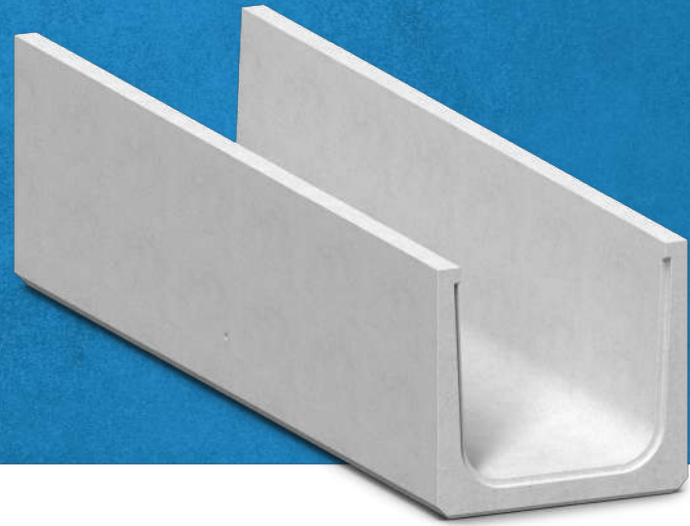


### LOAD CARRYING CAPACITY : 5 T WHEEL LOAD



### TYPICAL JOINT DETAILS



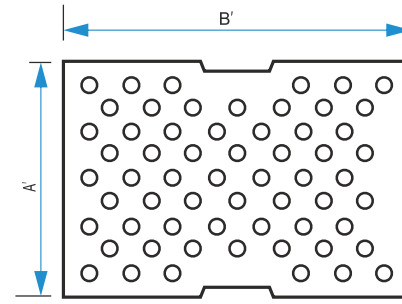


# U SHAPE DRAIN (LIGHT)

## APPLICATIONS :

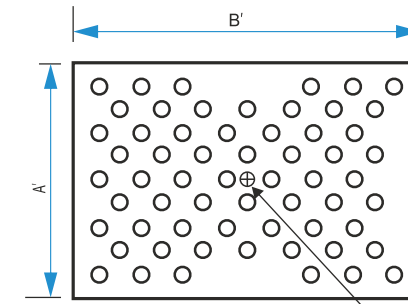
Such as storm water drains and power and telecommunication cable ducts.

### STANDARD COVER

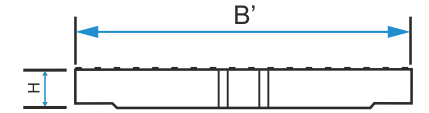


Cover plan

### WITHOUT HOLE COVER



Cover plan

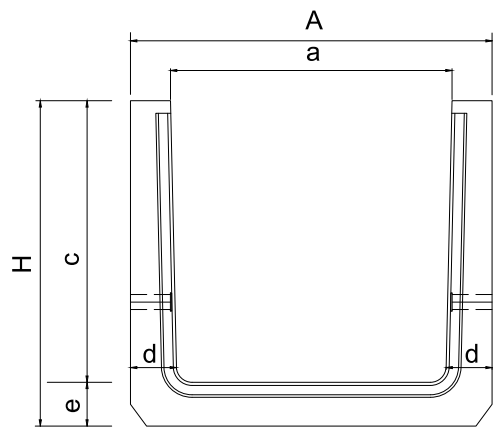


Cover Side View  
Cover Hole

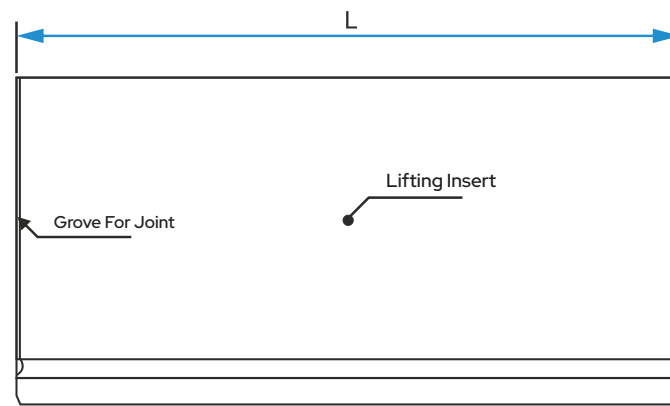
Lifting Barrel

Drain Size(mm)	Dimensions of Cover (mm)			
	A' x B'	A'	B'	H
300 x 300		500	440	60
450 x 450		500	610	80
600 x 600		500	720	80
750 x 750		500	890	90
900 x 900		500	1060	100

### SECTION

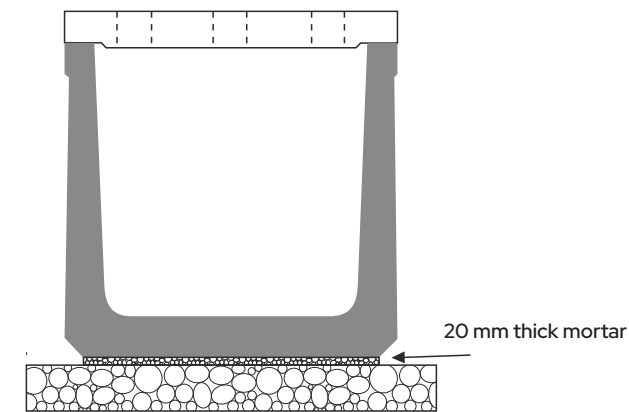


### SIDE VIEW

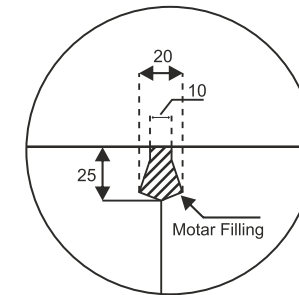


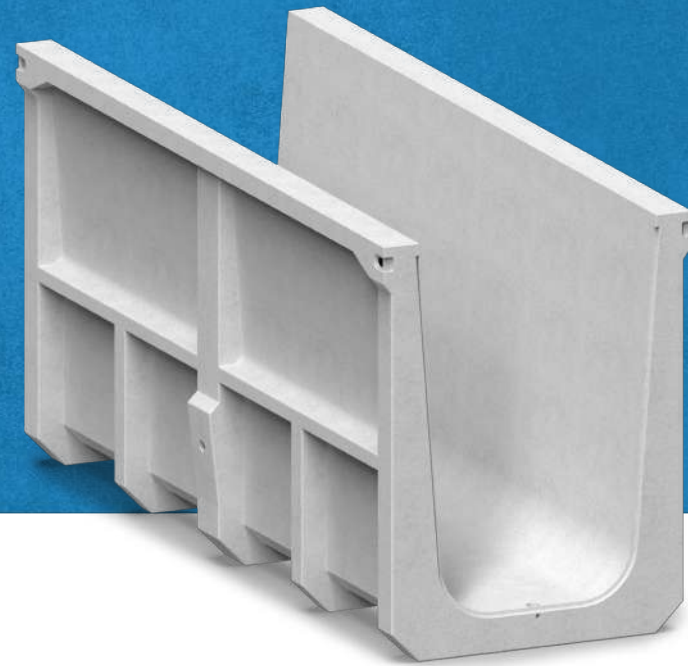
Size(mm)	Dimensions of U Shape Drain (mm) T-6						
a x c	L	A	H	a	c	d	e
300 x 300	2000	440	370	300	300	70	70
450 x 450	2000	610	520	450	450	75	70
600 x 600	2000	730	685	600	600	85	85
750 x 750	2000	890	845	750	750	95	95
900 x 900	2000	1070	1015	900	900	115	115

### TYPICAL FOUNDATION DETAILS



### TYPICAL JOINT DETAILS



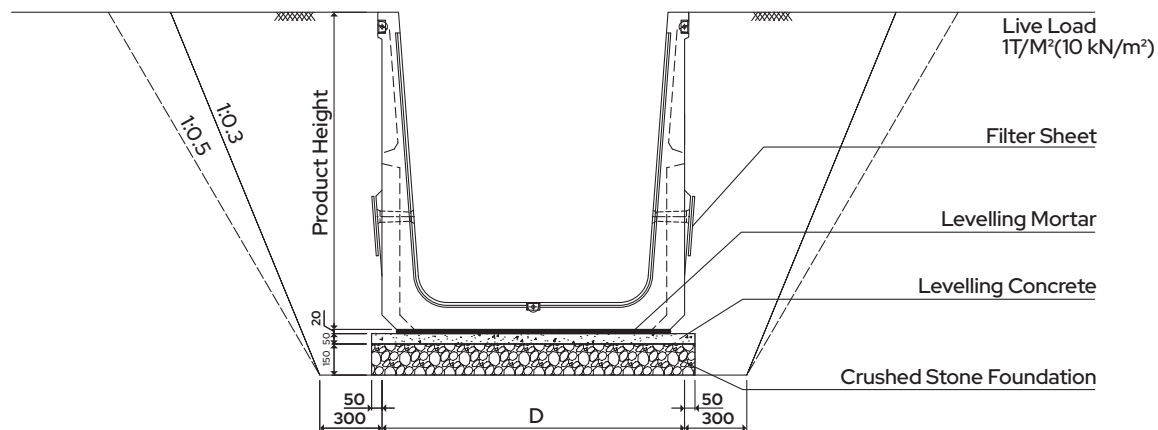


# FT-FLUME

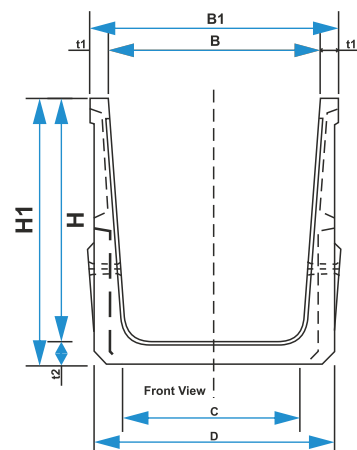
## APPLICATIONS :

Such as storm water drains, power ducts and road crossings, as a replacement of pipe culverts.

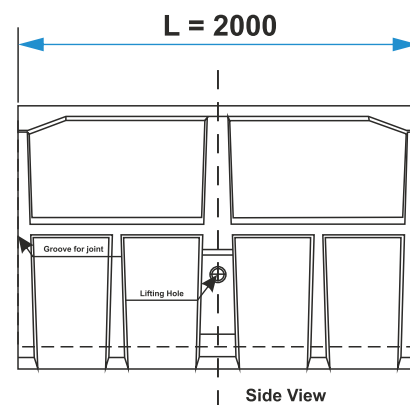
## TYPICAL SECTION OF FT-FLUME AS OPEN STORM WATER DRAIN



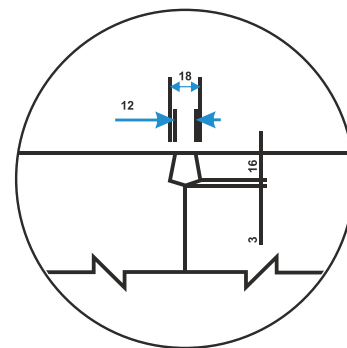
## FRONT VIEW



## SIDE VIEW



## TYPICAL GROOVE FOR JOINT



## H : 900 (H1: 995)

Width: B	600	700	800	900	1000	1100	1200	1300	1400	1500	1600	1700	1800
B1	780	880	980	1080	1180	1280	1380	1480	1580	1680	1780	1880	1980
C	465	565	665	765	865	965	1065	1165	1265	1365	1465	1565	1665
D	740	840	940	1040	1140	1240	1340	1440	1540	1640	1740	1840	1940

## H : 1000 (H1: 1150)

Width: B	600	700	800	900	1000	1100	1200	1300	1400	1500	1600	1700	1800
B1	780	880	980	1080	1108	1280	1380	1480	1580	1680	1780	1880	1980
C	450	550	650	750	850	950	1050	1150	1250	1350	1450	1550	1650
D	740	840	940	1040	1140	1240	1340	1440	1540	1640	1740	1840	2140

## H : 1200 (H1: 1310)

Width: B	800	900	1000	1100	1200	1300	1400	1500	1600	1700	1800	1900	2000
B1	980	1080	1180	1280	1308	1480	1580	1680	1780	1880	1980	2080	2180
C	620	720	820	920	1020	1120	1220	1320	1420	1520	1620	1720	1820
D	940	1040	1140	1240	1340	1440	1540	1640	1740	1840	1940	2040	2140

## H : 1300 (H1: 1420)

Width: B	800	900	1000	1100	1200	1300	1400	1500	1600	1700	1800	1900	2000
B1	1000	1100	1200	1300	1400	1500	1600	1700	1800	1800	2000	2100	2200
C	605	705	805	905	1005	1105	1205	1305	1405	1505	1605	1705	1805
D	960	1060	1160	1260	1360	1460	1560	1660	1760	1860	1960	2060	2160

## H : 1400 (H1: 1530)

Width: B	800	900	1000	1100	1200	1300	1400	1500	1600	1700	1800	1900	2000
B1	1000	1100	1200	1300	1400	1500	1600	1700	1800	1900	2000	2100	2200
C	590	690	790	890	950	1090	1190	1290	1390	1490	1590	1690	1790
D	960	1060	1160	1260	1360	1460	1560	1660	1760	1860	1960	2060	2160

## H : 1500 (H1: 1640)

Width: B	800	900	1000	1100	1200	1300	1400	1500	1600	1700	1800	1900	2000
B1	1000	1100	1200	1300	1400	1500	1600	1700	1800	1900	2000	2100	2200
C	575	675	775	875	975	1075	1175	1275	1375	1475	1575	1675	1775
D	960	1060	1160	1260	1360	1460	1560	1660	1760	1860	1960	2060	2160

## H : 1600 (H1: 1740)

Width: B	800	900	1000	1200	1300	1400	1500	1600	1700	1700	1800	1900	2000
B1	1000	1100	1200	1400	1500	1600	1700	1800	1800	1860	2000	2100	2200
C	560	660	760	860	960	1060	1160	1260	1360	1460	1560	1660	1760
D	960	1060	1160	1360	1460	1560	1660	1760	1860	1860	1960	2060	2160

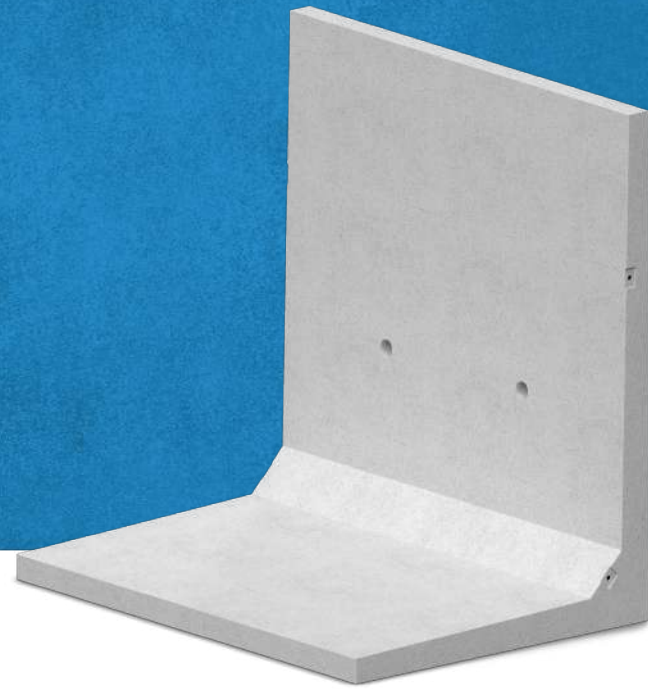
## H : 1800 (H1: 1940)

Width: B	800	900	1000	1100	1200	1300	1400	1500	1600	1700	1800	1900	2000
B1	1070	1170	1270	1370	1470	1570	1670	1770	1870	1970	2070	2170	2270
C	530	630	730	830	930	1030	1130	1230	1330	1430	1530	1630	1730
D	990	1090	1190	1290	1390	1490	1590	1690	1790	1890	1990	2090	2190

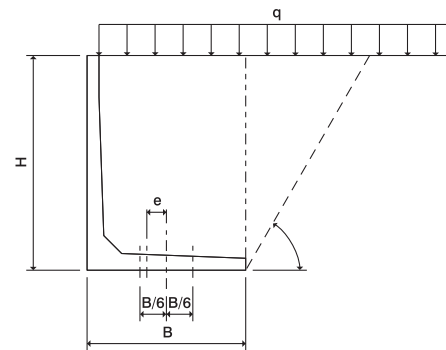
# EARTH RETAINING WALL

## APPLICATIONS :

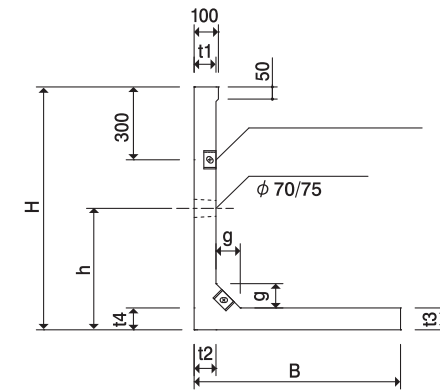
- For the prevention of the soil erosion.
- To retain the soil nearby, Culvert, Underpass, Bridge, etc.
- To provide the stability in sloped soil.
- Landscaping.



- Reinforced Concrete Unit Weight  $Y_c$  24.5 kN/m
- Unit Weight of soil  $Y_s$  19 kN/m<sup>3</sup>
- Angle of internal friction of soil  $\phi$  30°
- Overburden load  $q$  10 kN/m<sup>2</sup>
- Sliding safety factor  $F_s \geq 1.5$
- Eccentricity (for overturning)  $|e| \leq B/6$

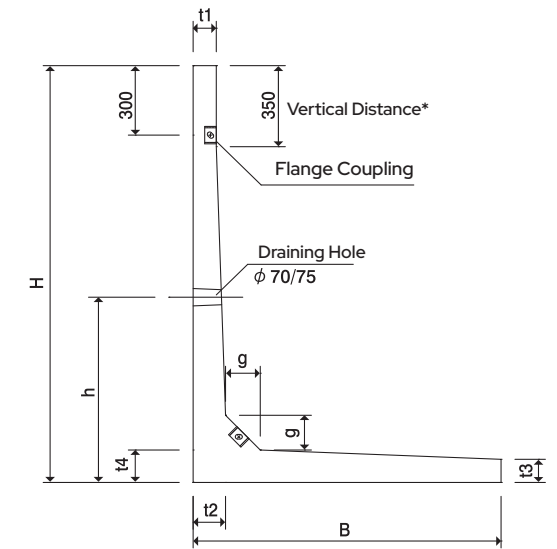


## H = 600 - H = 1000



SECTION

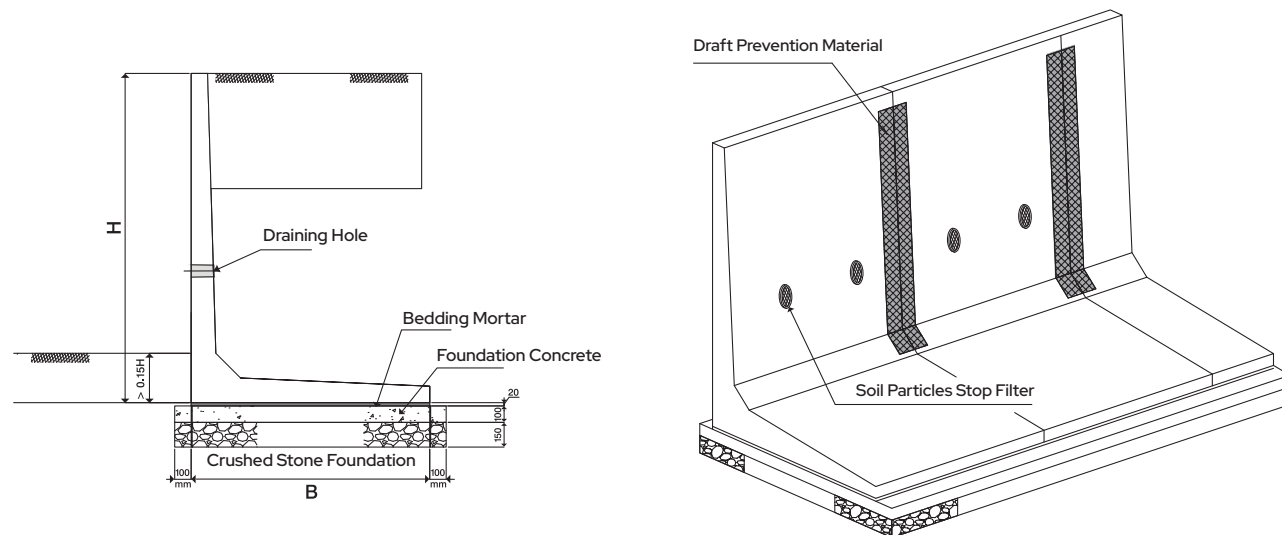
## H = 1200 - H = 2500



SECTION

HEIGHT (MM)	DIMENSIONS							
	B	t1	t2	t3	t4	g	h	h
600	680	70	70	70	70	100	300	2000
800	760	80	80	80	80	100	400	2000
1000	850	90	90	90	90	100	500	2000
1200	970	100	100	100	100	120	600	2000
1800	1330	100	140	100	140	150	800	2000
2000	1450	100	140	100	140	150	800	2000
2250	1600	100	170	100	170	180	900	2000
2500	1750	100	170	100	170	180	900	2000

## TYPICAL FOUNDATION DETAILS



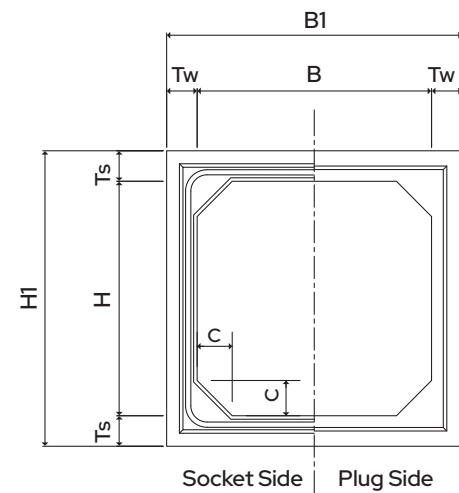


# PRECAST BOX CULVERT

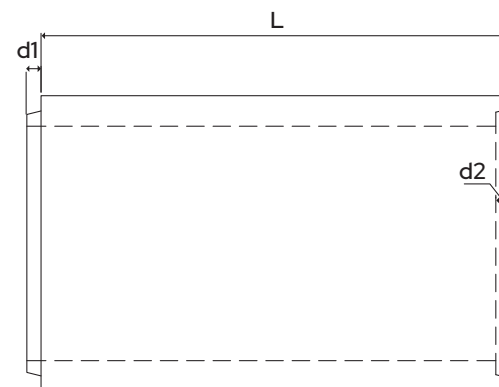
## APPLICATIONS :

Such as storm water drains, power ducts and road crossings, as a replacement of pipe culverts.

## FRONT VIEW

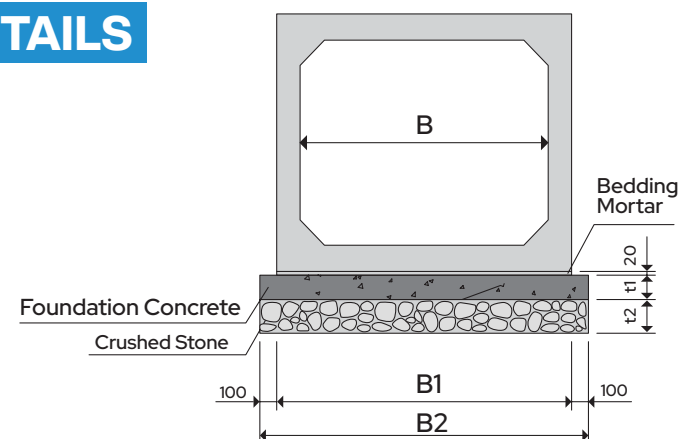


## SIDE VIEW



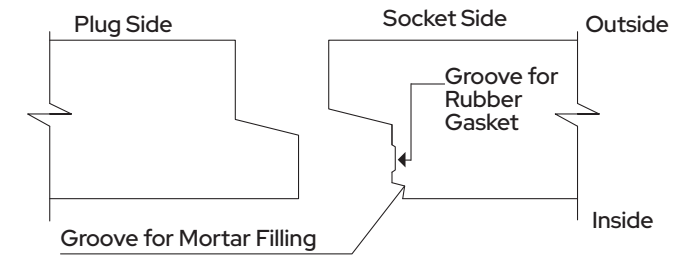
## TYPICAL FOUNDATION DETAILS

B	Size(mm)	
	t1	t2
600 ~ 1000	100	150
1100 ~ 2000	150	200
2200 ~ 3000	200	250



## TYPICAL JOINT DETAILS

- Plug & Socket Joint
- Flange Bolt Connection
- Note: \*Available for selected sizes
- Sealing Material - Rubber Gasket



B X H (mm)	B	B1	H	H1	L	TS	TW	C	d1	d2
300 x 300	300	416	300	475	2000	95/80	55	C30 / R50	-	-
500 x 500	500	680	500	740	2000	120	90	50	-	-
600 x 600	600	775	600	860	2000	130	80	C50 / R80	-	-
800 x 800	800	1060	800	1060	2000	130	130	100	60	60
600 X 1000	600	860	1000	1260	2000	130	130	150	60	60
900 X 1000	900	1160	1000	1260	2000	130	130	150	60	60
1000 X 1000	1000	1260	1000	1260	2000	130	130	150	60	60
1200 X 1000	1200	1460	1000	1260	2000	130	130	150	60	60
1000 X 600	1000	1260	600	860	2000	130	130	150	60	60
800 X 1400	800	1060	1400	1660	2000	130	130	150	60	60
900 X 1400	900	1160	1400	1660	2000	130	130	150	60	60
1000 X 1400	1000	1260	1400	1660	2000	130	130	150	60	60
1200 X 1400	1200	1460	1400	1660	2000	130	130	150	60	60
1300 X 1400	1300	1560	1400	1700	2000	150	130	150	60	60
1500 X 1400	1500	1760	1400	1700	2000	150	130	150	60	60
1400 X 1000	1400	1660	1000	1260	2000	130	130	150	60	60
1400 X 1200	1400	1660	1200	1460	2000	130	130	150	60	60
2000 X 1200	2000	2320	1200	1560	2000	180	160	200	80	80
2000 X 1500	2000	2320	1500	1860	2000	180	160	200	80	80
2000 X 1800	2000	2320	1800	2160	2000	180	160	200	80	80
2000 X 2000	2000	2320	2000	2360	2000	180	160	200	80	80
2500 X 1500	2500	2900	1500	1940	1500	220	200	200	80	80
2500 X 1800	2500	2900	1800	2240	1500	220	200	200	80	80
2500 X 2000	2500	2900	2000	2440	1500	220	200	200	80	80
2500 X 2500	2500	2900	2500	2940	1500	220	200	200	80	80



# Our Clients



At Trilok Infratech, our clients are at the heart of everything we do. We have had the privilege of collaborating with a diverse range of clients, from small-scale local projects to large national initiatives. Our commitment to understanding and fulfilling our clients' unique needs has been the cornerstone of our success.





### **FACTORY ADDRESS :**

Survey No. 18, Nh-8 To Velanja Road, Taluka Kamrej,  
Village Antroli, Surat, Gujarat, 394150

### **HEAD OFFICE :**

401, Vikas Shopper, Vraj Chowk Road, Opp.  
Rushikesh Residency, Sarthana Jakatnaka,  
Varachha Road, Surat - 395006 (Gujarat)

 +91 97265 81000

 [info@trilokinfratech.com](mailto:info@trilokinfratech.com)

 [www.trilokintratech.com](http://www.trilokintratech.com)

### **REGIONAL OFFICE :**

#### **DELHI, INDIA**

Khata No. 501, Village Sancholi, Tehsil Sohna,  
Gurgaon, Haryana - 122103

#### **INDORE, INDIA**

Jamil Thavalai Road, Village- Thavalai, Ta.Mhow.  
Dist.Indore (M.P)



Please Scan the QR code  
to visit our website for  
more details.